



Find us locally at [www.dynapac.com](http://www.dynapac.com)

We reserve the right to change specifications without notice. Photos and illustrations do not always show standard versions of machines. The above information is a general description only, all informations are supplied without liability.



## Technical Data

### Push Roller System

Standard	Fixed, pivotable Hydraulic damping and stepless
Option	adjustable (20cm) with automatic function

### Material Hopper

Dumping height	540 mm
Hopper volume	7 m <sup>3</sup> /15 t
Hopper width, internal	3290 mm

### Conveyor

Conveyor control	Proportional with paddle sensor
Conveyor type	Dual Conveyor, reversible
Conveyor width	2x 655 mm

### Engine

Manufacturer /Model	Cummins B6.7-C225
Emissions according to	Stage V /US EPA T4f
Rated power, SAE J1995	168 kW @ 2200 rpm
Peak power	186 kW
DEF tank capacity	37 l
Fuel tank capacity	362 l
Average fuel consumption	9.45 l/h
After treatment	DOC + DPF + SCR

### Engine

Manufacturer /Model	Cummins QSB6.7-C220
Emissions according to	Tier 3
Rated power, SAE J1995	164 kW @ 2200 rpm
Peak power	186 kW
Fuel tank capacity	362 l

### Drive

Undercarriage type	Crawler
Drive Type	Independent hydrostatic driven crawler systems
Crawler length	3360 mm
Crawler width	0.32 m
Maximum paving speed	28 m/min
Maximum transport speed	4 km/h

### Auger

Auger type	Center drive, reversible
Auger diameter	430 mm
Auger control	Independent proportional with sonic sensors
Adjustable height	250 mm
Auger wing type	Separately replaceable

### Generator (for electric screeds)

Nominal power	35 kVA
Peak power	45 kVA
Type	Synchron

### Working Width

Minimum working width	2.05 m 8.80 m (V5100)
Maximum working width	9.70 m (V6000) 12 m (R300)
Basic working width (retracted)	2.05 m (V5100) 2.50 m (V6000)
Basic working width (extended)	5.10 m (V5100) 6.00 m (V6000)

### Dimensions

Basic width	2.55 mm
Front ramp angle	15°
Transport length	6.63 m
Working width, max.	12 m

### Masses

Basic weight (incl. standard screed)	22.50 t
--------------------------------------	---------

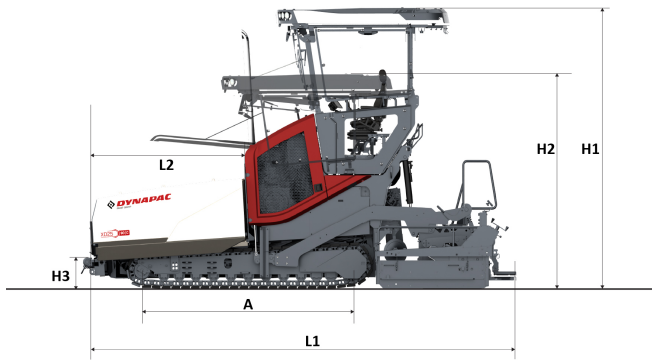
### Capacity

Placement thickness (max)	360 mm
Theoretical placement capacity	900 t/h

Find us locally at [www.dynapac.com](http://www.dynapac.com)

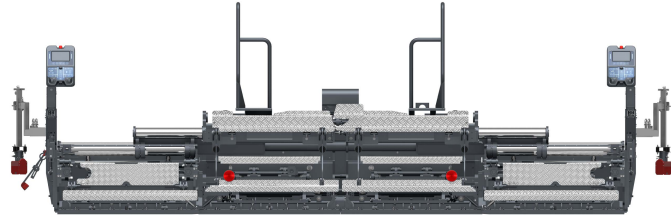
We reserve the right to change specifications without notice. Photos and illustrations do not always show standard versions of machines. The above information is a general description only, all informations are supplied without liability.

### Dimensions

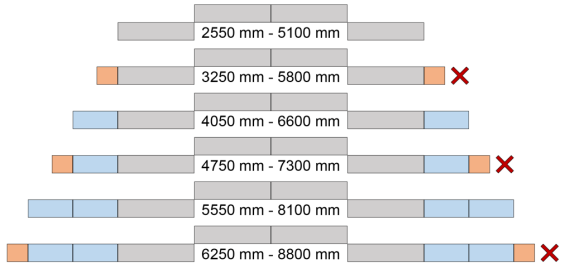


A. Axle track	3.36 m
B1. Width, max.	3.47 m
B2. Width, standard	2.55 m
B3. Width, center of tracks	1.99 m
C1. Crawler Width	0.32 m
H1. Height, max.	3.94 m
H2. Height, transport	3.10 m
H3. Push Roller Height	0.46 m
L1. Length	6.63 m
L2. Length, hopper	2.60 m

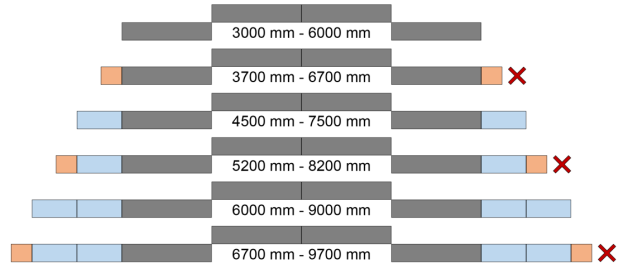
# Screeds



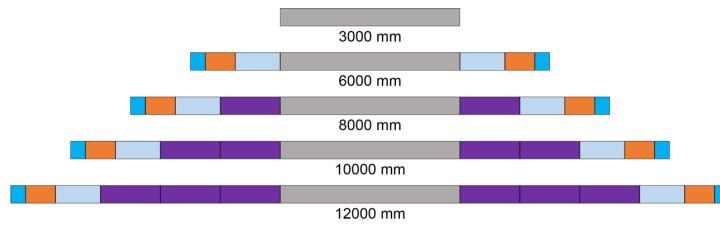
## V5100 TV E / TH E



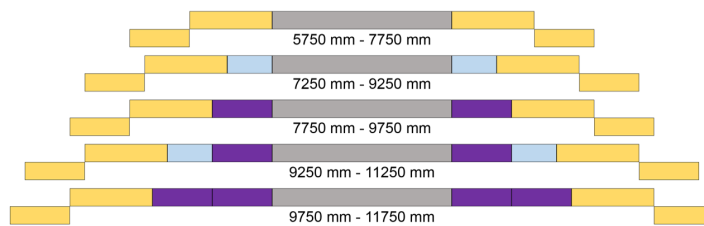
## V6000 TV E / TH E



## R300 TV E



## R300 TV E HEE



- 1275 mm V5100 section
- 1500 mm V6000 section
- 3000 mm R300 basic screed
- Not available for TH E screeds
- 250 mm extension box
- 350 mm extension box
- 500 mm extension box
- 750 mm extension box
- 1000 mm extension box
- 1375 - 2375 mm hydraulic extendable extension box

Find us locally at [www.dynapac.com](http://www.dynapac.com)

We reserve the right to change specifications without notice. Photos and illustrations do not always show standard versions of machines. The above information is a general description only, all informations are supplied without liability.